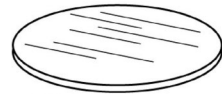


Paulina 2330102

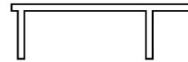
EXCL.



15min



A X2

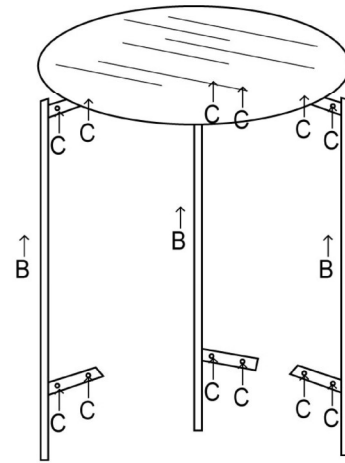


B X3



C X12

1



2

